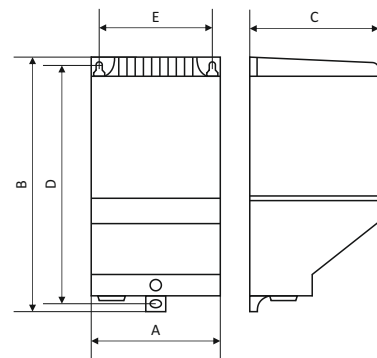


ARES 5 - 7; ARES 5/T - 7/T



ARES 10; ARES 10/T

Output current: **5; 7; 10A**  
 Rated voltage PRI: **230V 50/60Hz**  
 Range of output voltage: **105 - 230V (+5%)**

Electronic, microcontroller-based thyristor regulators are designed for stepless speed regulation in single-phase fan motor. The regulators are intended for ventilation and heating systems. The control is carried out using the phase method. Equipped with backlit switch and potentiometer for stepless speed regulation. Made with protection grade IP54. Internal DC power supply for control unit and set of optoisolators results in 4kV galvanic isolation which significantly improves safety. ARES regulators have KickStart function that enables driving maximum voltage to the output for the first 10 seconds of device running. It allows the assured start of motor from off-state. Functionality of ARES regulators is further extended by the addition of 230V AC output protected by 2A fuse. ARES/T has a potentiometer that sets the temperature that is then kept by regulator.

Type	Current	Adjustment range	Dimensions [mm]					Weight [kg]
	[A]		A	B	C	D	E	
<b>ARES 5</b>	5	105 - 230V	90	173	89	157	71	0,62
<b>ARES 5/T</b>	5	105 - 230V, 10 - 30°C	90	173	89	157	71	0,62
<b>ARES 7</b>	7	105 - 230V	90	173	89	157	71	0,62
<b>ARES 7/T</b>	7	105 - 230V, 10 - 30°C	90	173	89	157	71	0,62
<b>ARES 10</b>	10	105 - 230V	104	184	105	163	80	0,62
<b>ARES 10/T</b>	10	105 - 230V, 10 - 30°C	104	184	105	163	80	0,62